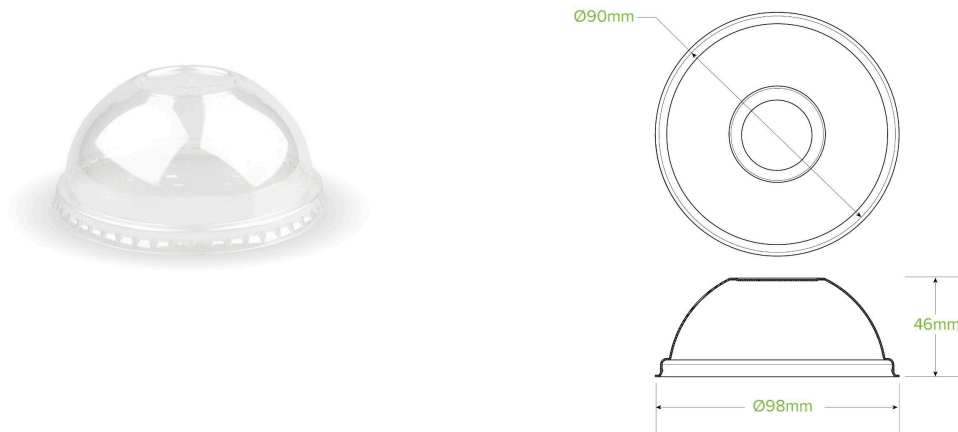


390-650ml / 12-22oz 90mm Clear PLA Dome Lid For Paper Cold Cups

BCL-90C-PLA(D)



Our bioplastic cup lids are made from plants, not oil. These lids are suitable for our cold paper BioCups.

Carton quantity: 1000	Sleeves per carton: 20	Units per sleeve: 50
Carton Size LxWxH (cm): 48x38.5x31	Raw material: Bioplastic - PLA	Lining/coating: None
Window material: None	Inks: None	Dimensions top LxW (mm): 98x98
Dimensions base LxW (mm): 98x98	Product Depth: 46	Thickness: N/A
Use: Cold use only	Manufactured: China	Customise: Emboss
MOQ custom: MOQ apply see custom packaging	Mould fees: Yes - see custom packaging	Environmental production certified: ISO 14001
Corporate social accreditation: SMETA	Home compostable: No	Industrially compostable: Certified to EN13432 European Standard, Pending Certification to AS4376 Australian Standards
Recyclable: No		